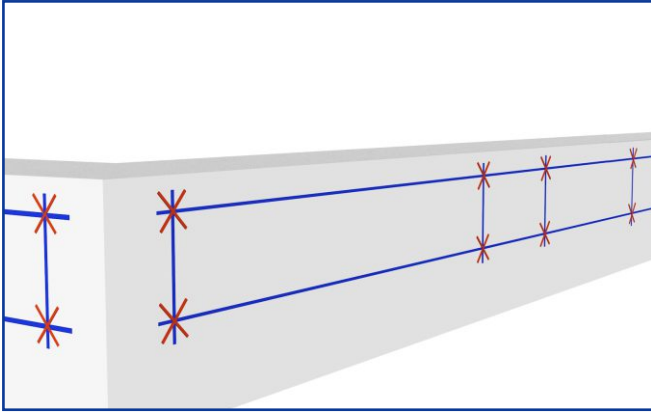


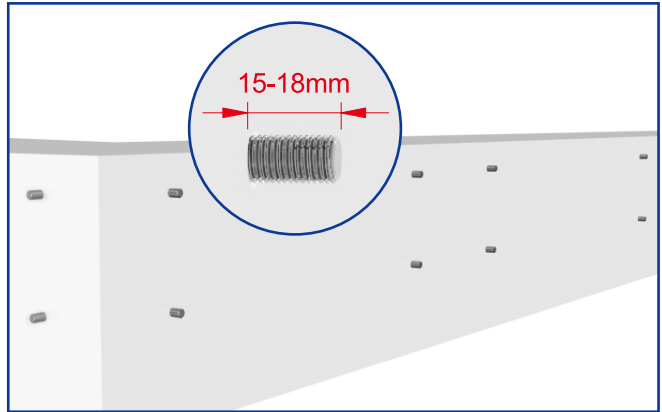
Through Glass Locking Stand Off Pins T-head Model

ALL HORIZONTAL GLASS ADJUSTMENT CAN BE MADE WITH GLASS INSTALLED

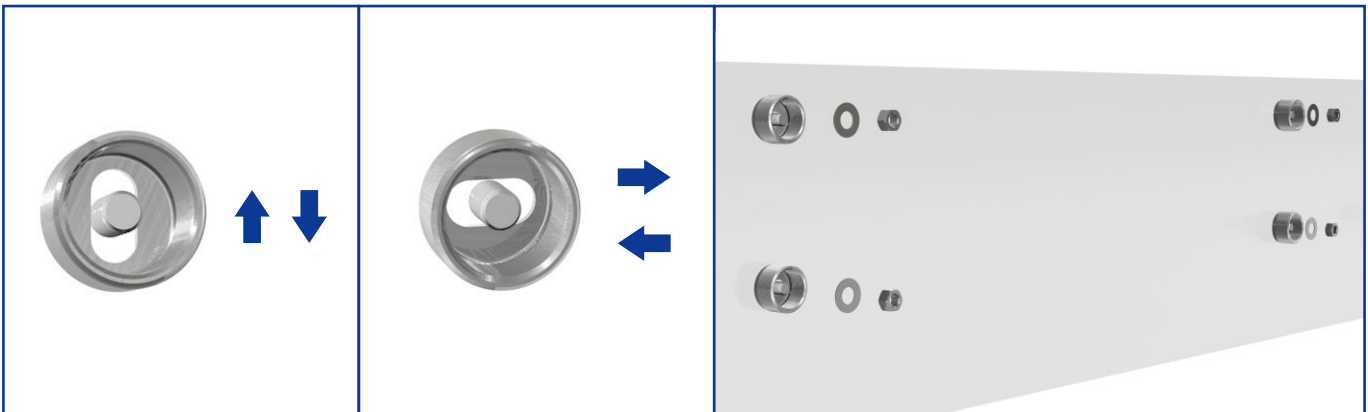
1. Set string lines and mark pins spacings to insure hanger bolts are set in alignment.



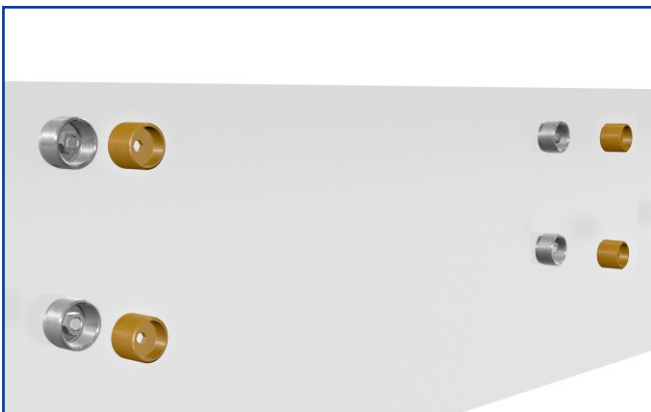
2. The bolts to be chemical fixed into wall leaving 15-18mm out of the wall for nut and pin.



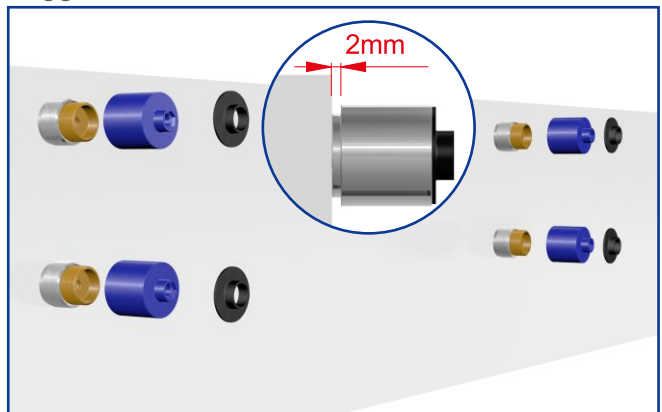
3. Attach backing to the wall and adjust to get more alignment(6-12mm), then fixed by washer and nut.



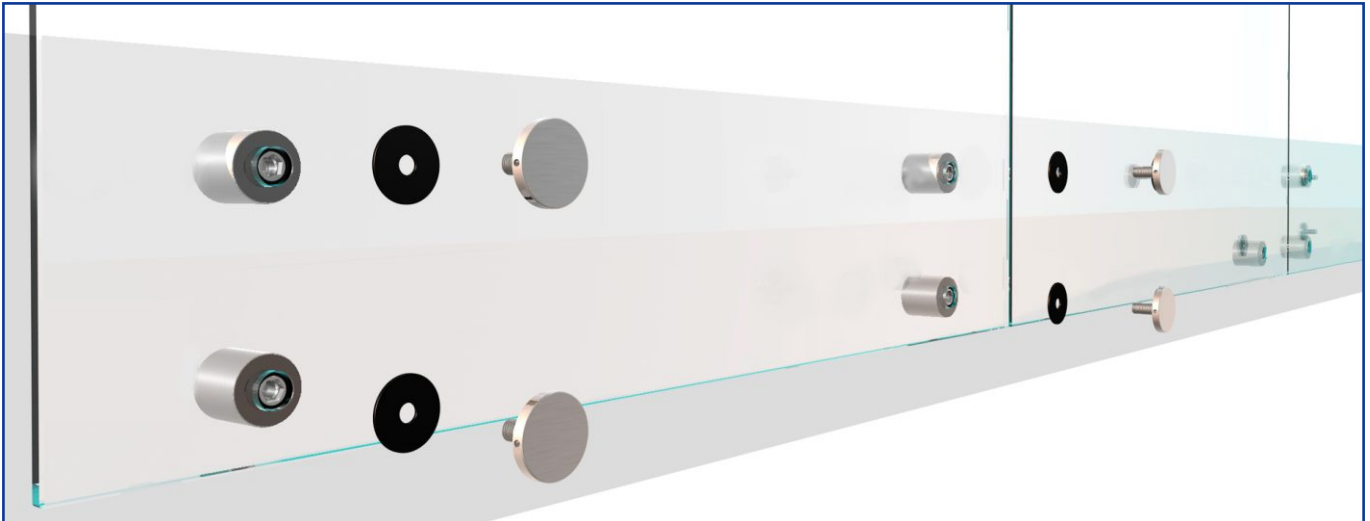
4. Fit locking bushes, tighten all the way.



5. Fit bodies (with plastic bush) by winding in, suggest around 2mm off wall.



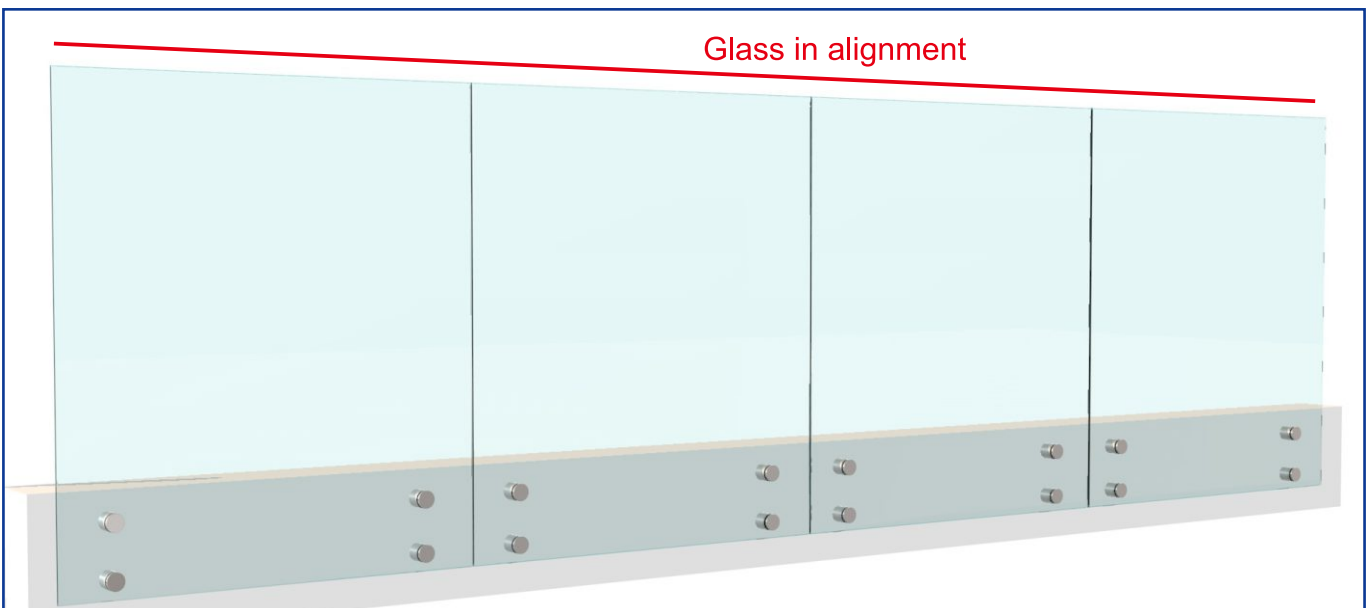
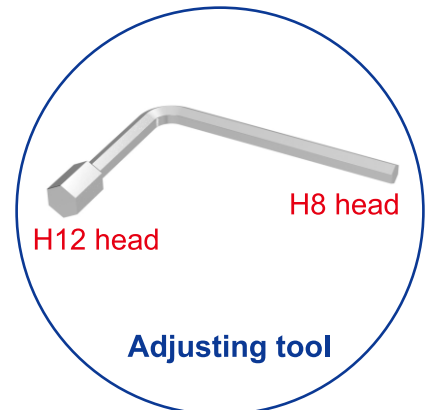
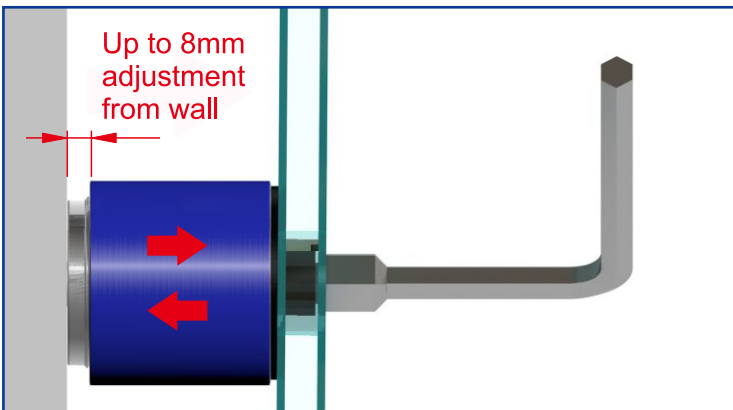
6. Fit glass with pin head by hand and check alignment at top.



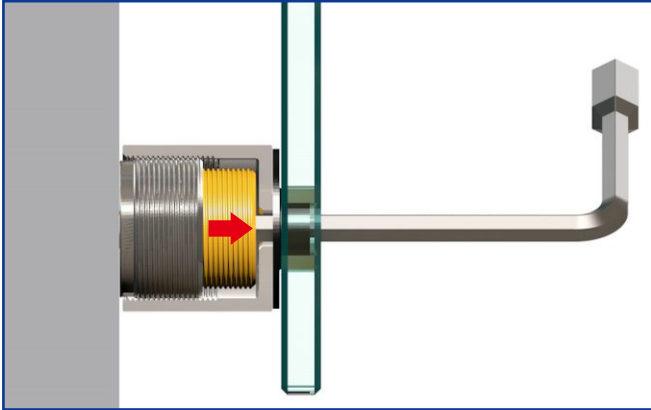
7. If glass panels are not in alignment, do the re-alignment as below steps:

A. Take heads with plastic washer off.

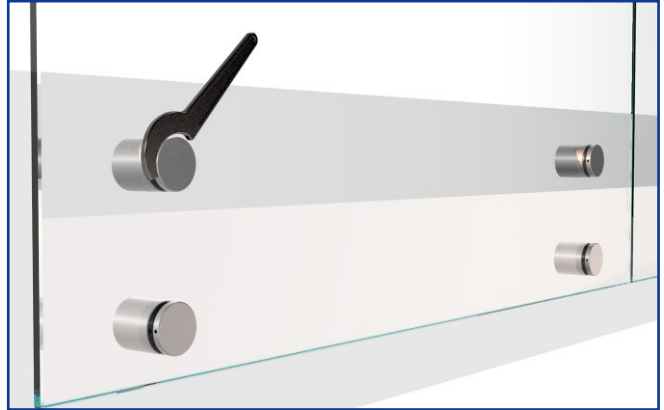
B. Align bodies by winding in or out with H12 head adjusting key until the glass in alignment.



8. Use H8 head adjusting key to run through the bodies, then wind out the locking bushes to the end of aligned body to lock the movement directly when aligning glass.



9. Set up the pin heads with plastic washer and ensure tighten firmly after aligning.



FULL VIEW FROM OUTSIDE AFTER INSTALLATION

